

# Cause and Effect

## Recognizing Actions and Their Reactions

Strategy:

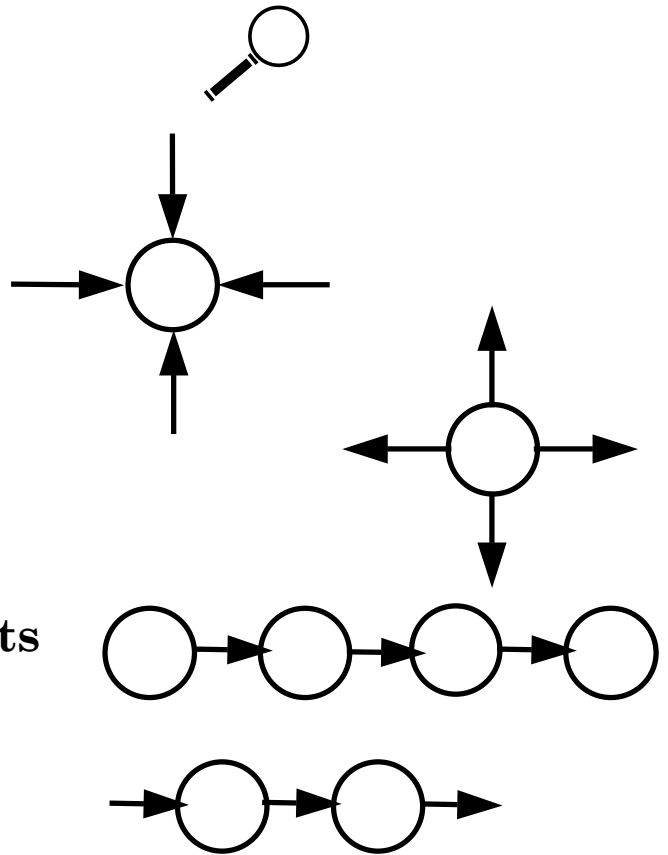
1. Study the event

2. Identify the actions

3. Look for reactions

4. Note the chain of events

5. Record



Graphic Organizers:

